



# Autodesk® AutoCAD® Architecture 2014

## What's New



# New & Enhanced Features

## Productivity and usability

- Set to layer zero
- Change block
- Command line search | Architectural styles
- Escarpment block
- Project information file backup



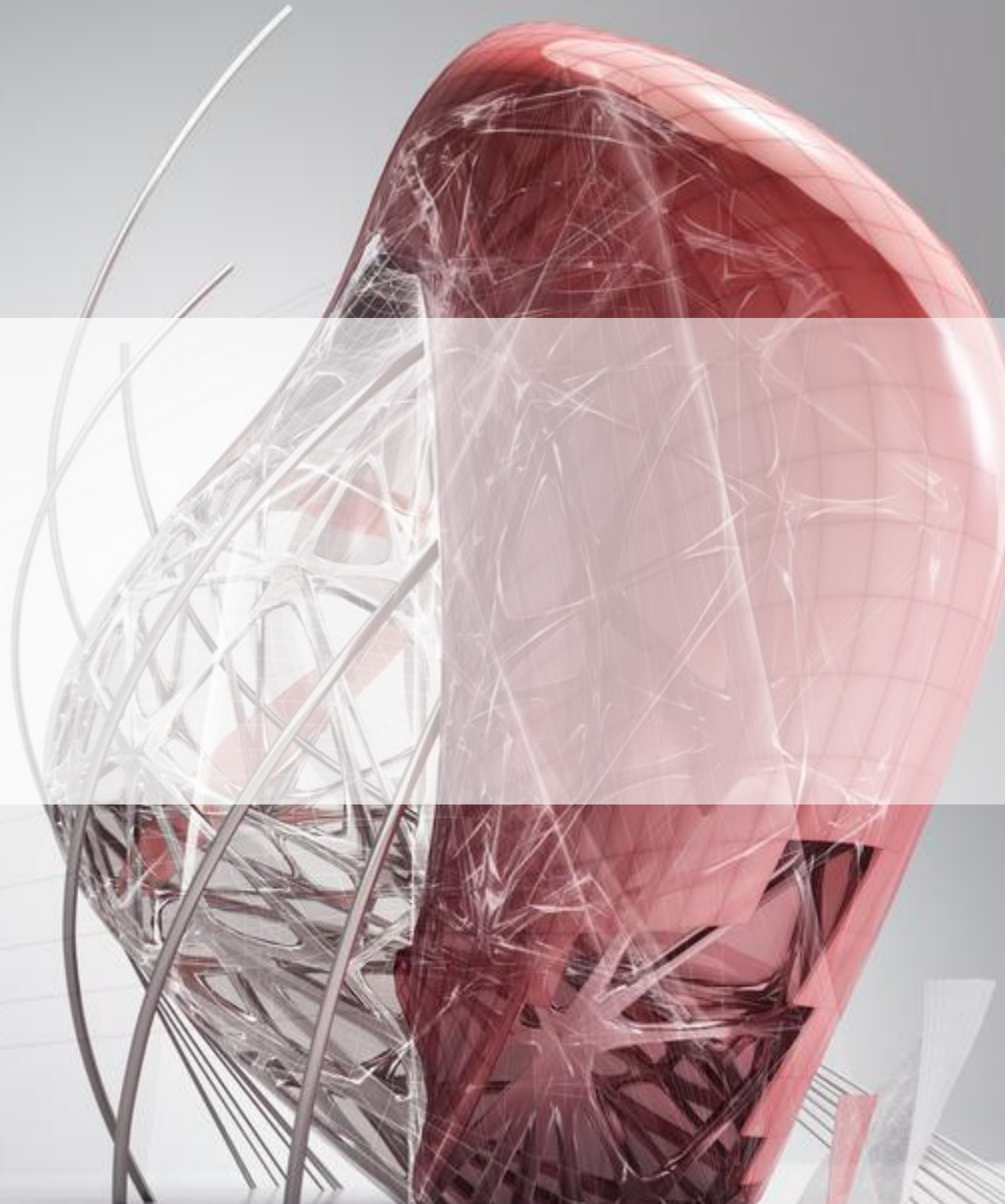
## Drafting and documentation

- Display order by layer
- Annotation and unit scaling
- Enhanced layer standards
- Automated property set definitions
- Door & window insertion enhancement
- Door & window justification enhancement



Building design and image courtesy of Wilson Architects, Inc.

# Productivity and Usability



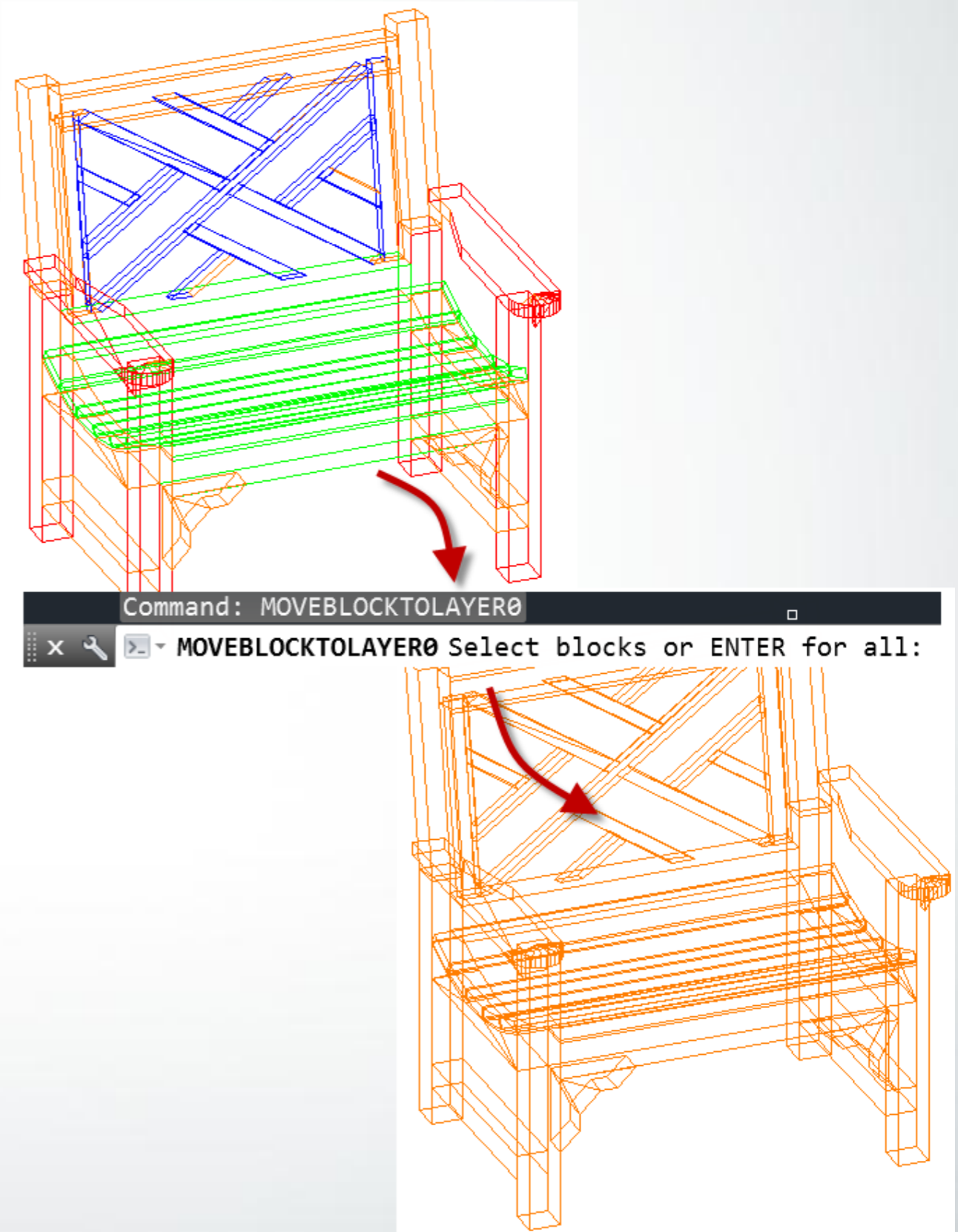
# Productivity and Usability

AutoCAD Architecture 2014

## Set to layer zero

- Improve block CAD standards
- Minimize errors resulting in objects on wrong layers
- Modify the definition of a selected block to layer zero
- Save time changing entities to layer zero

Set drawing entities to layer zero in a single click



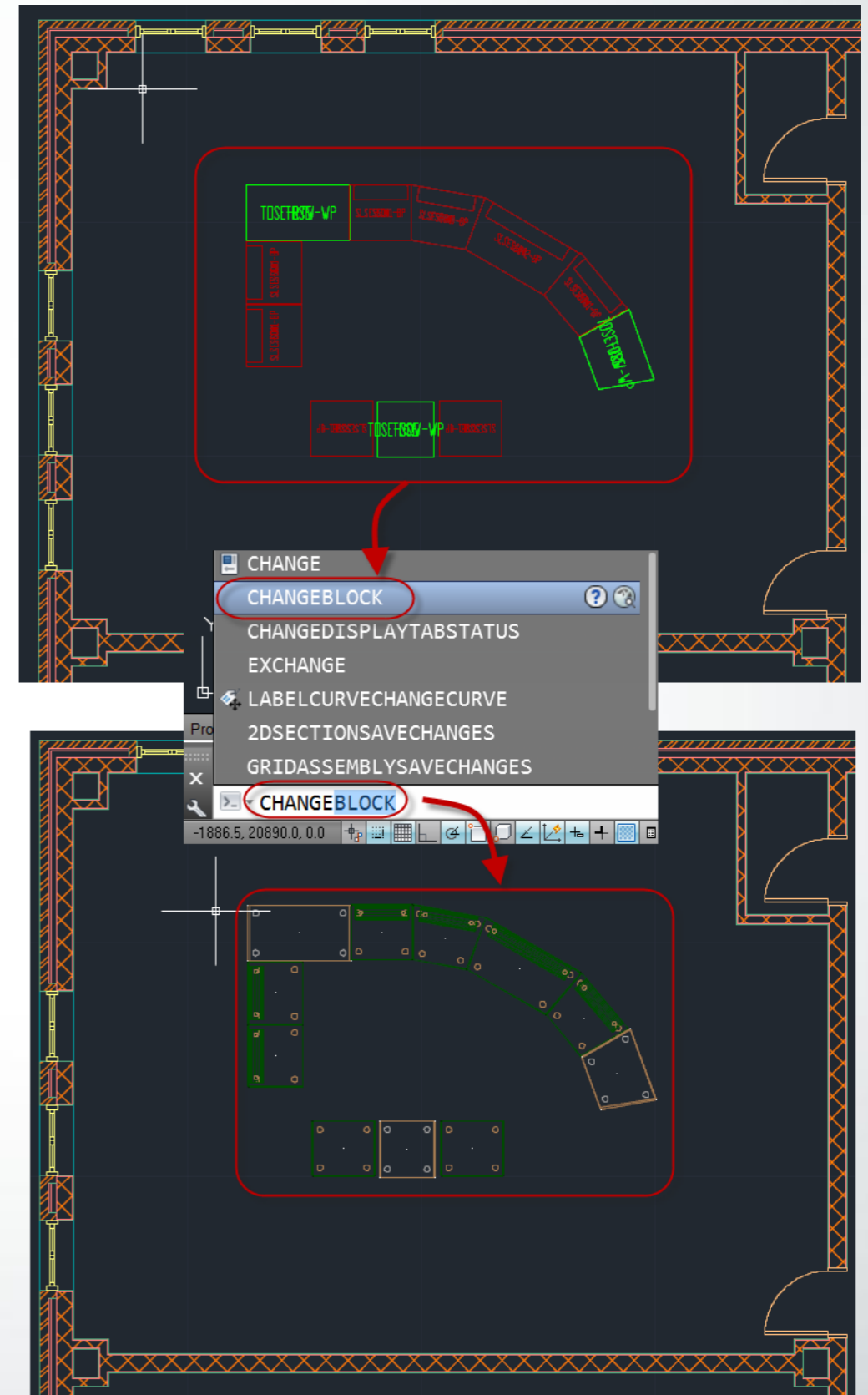
# Productivity and Usability

AutoCAD Architecture 2014

## Change block

- Easily make changes to building components
- Replace definition of selected instance of an existing block
- Assign a different definition without recreating (inserting) the block

Assign different definitions to block instances as your design changes



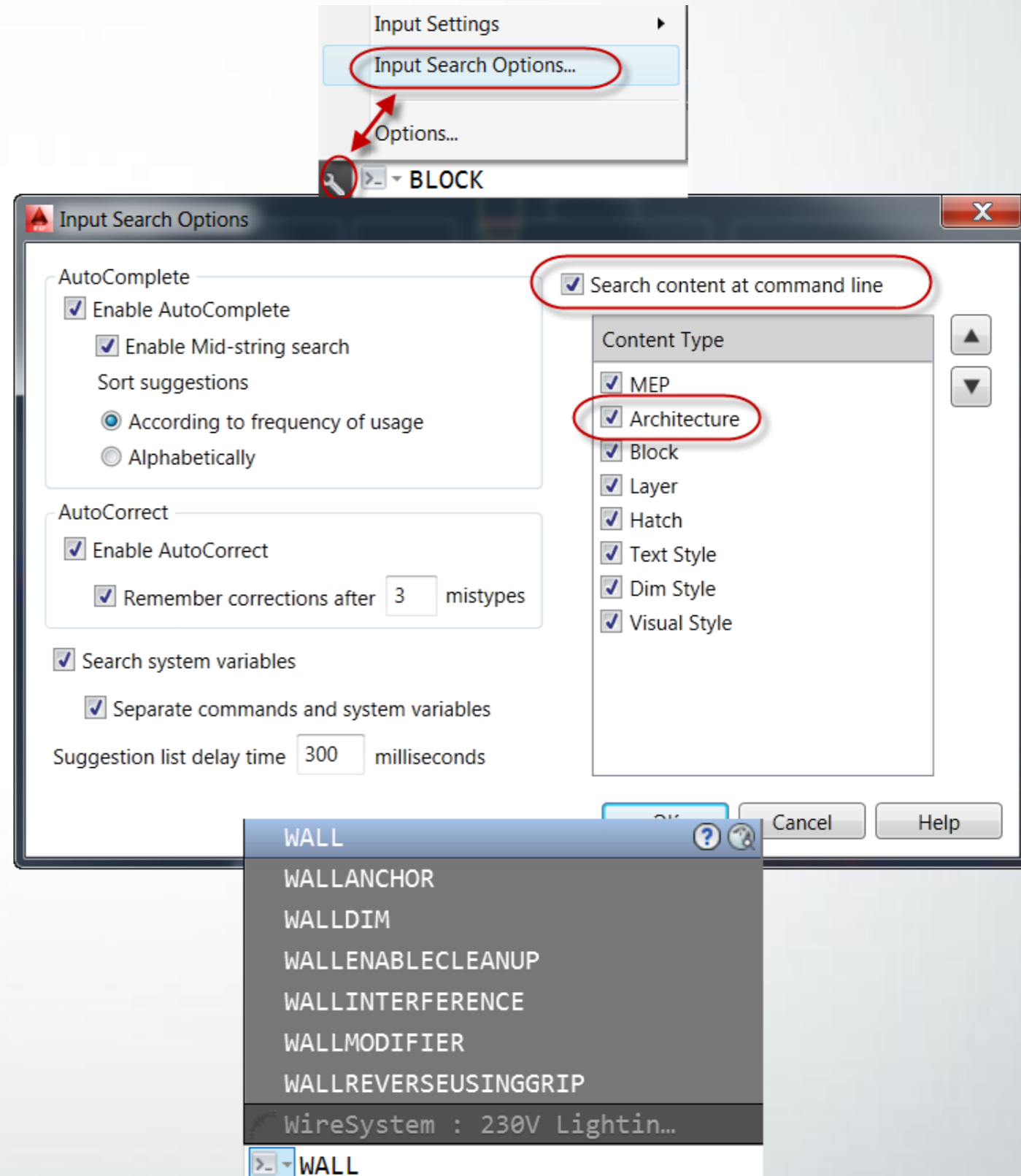
# Productivity and Usability

AutoCAD Architecture 2014

## Command line search | Architecture styles

- Select style to start an Add command
- Type any portion of a name to list only styles with those characters
- List only the styles you need

More quickly add primary objects for existing selected styles

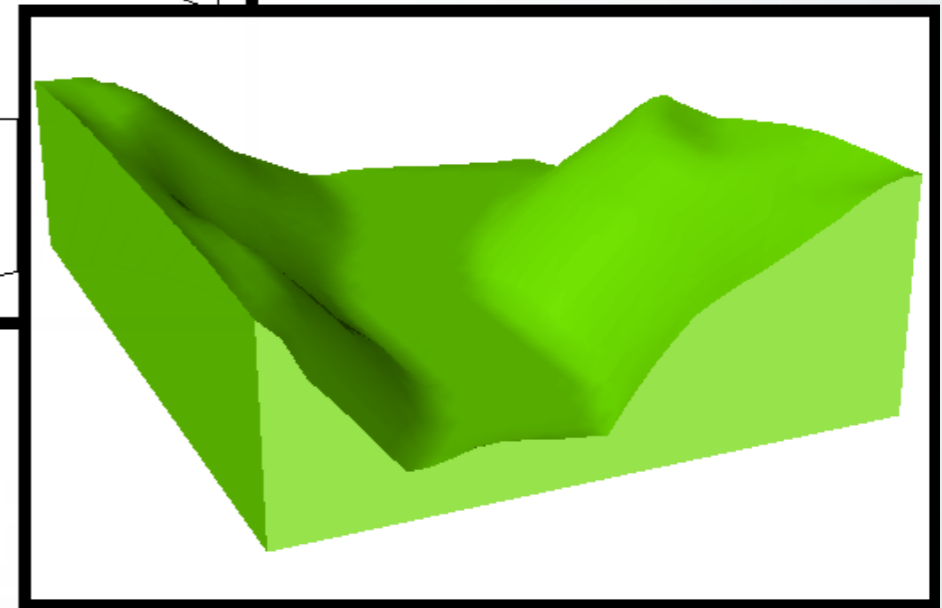
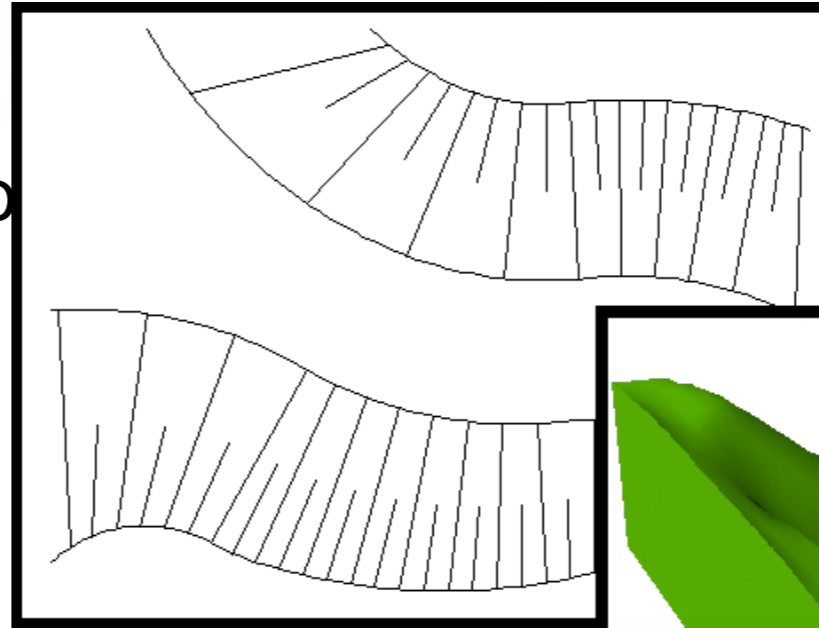


# Productivity and Usability

AutoCAD Architecture 2014

## Escarpment block

- Quickly generate graphics to represent slope change
- Avoid multistep process to manually create graphics
- Linework is saved as a block



Use the new escarpment block to quickly represent changes in slope

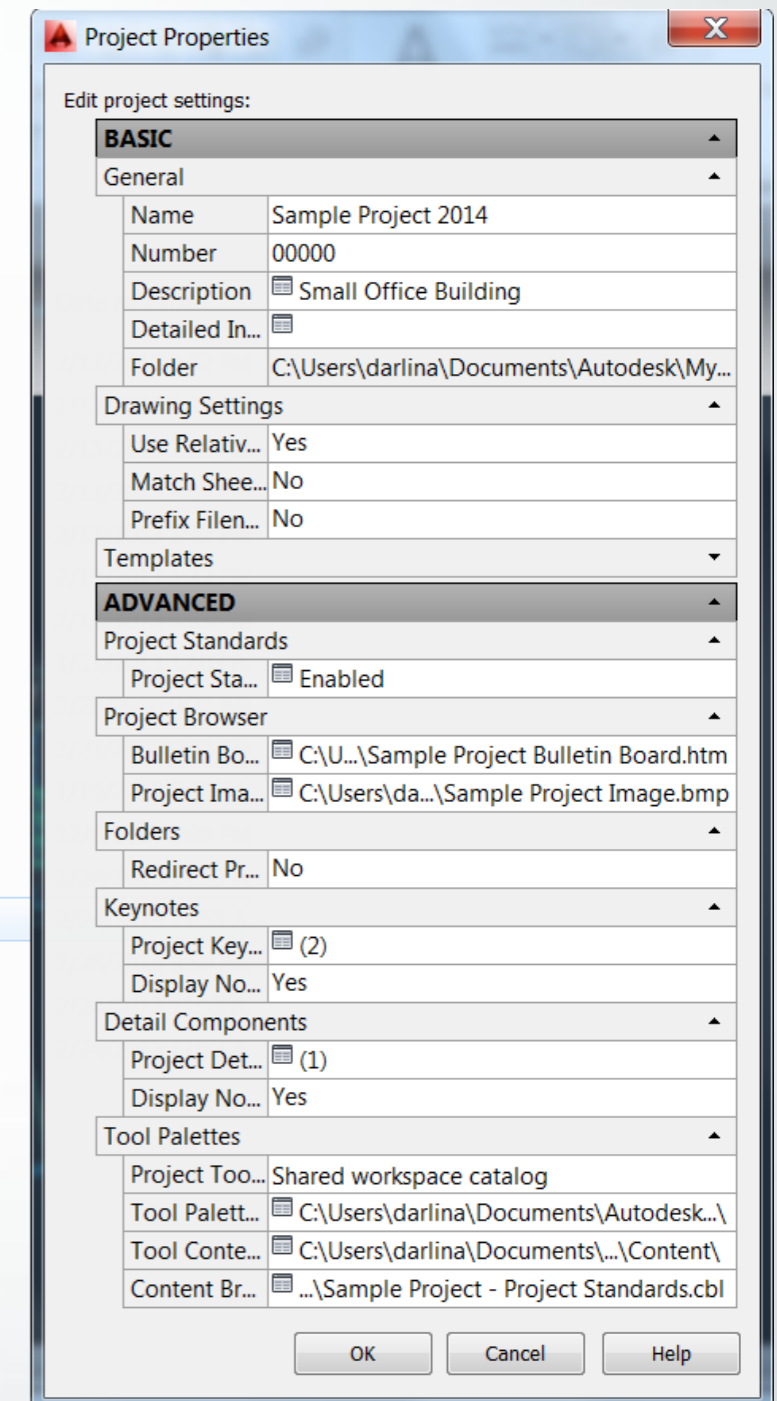
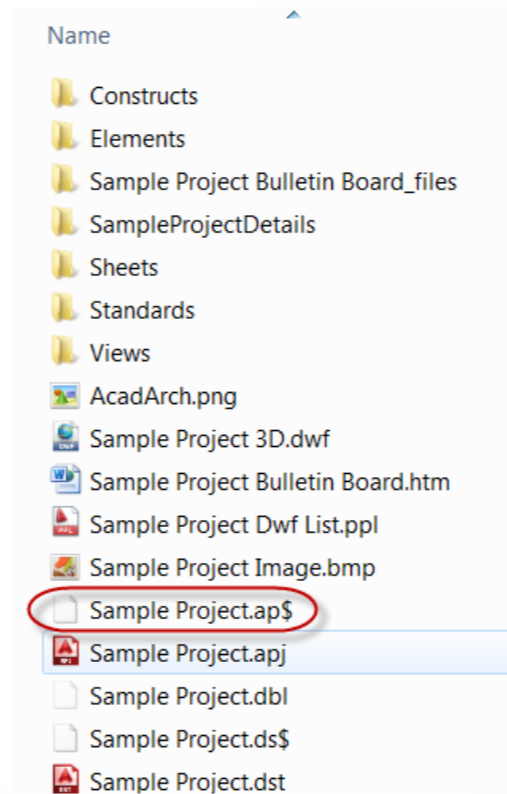
# Productivity and Usability

AutoCAD Architecture 2014

## Project information file backup

- Maintain project information integrity
- Automatically create a backup file when project is started
- Eliminate time-consuming chore of rebuilding project information file when main copy is corrupted

Use the backup project file instead of rebuilding from scratch







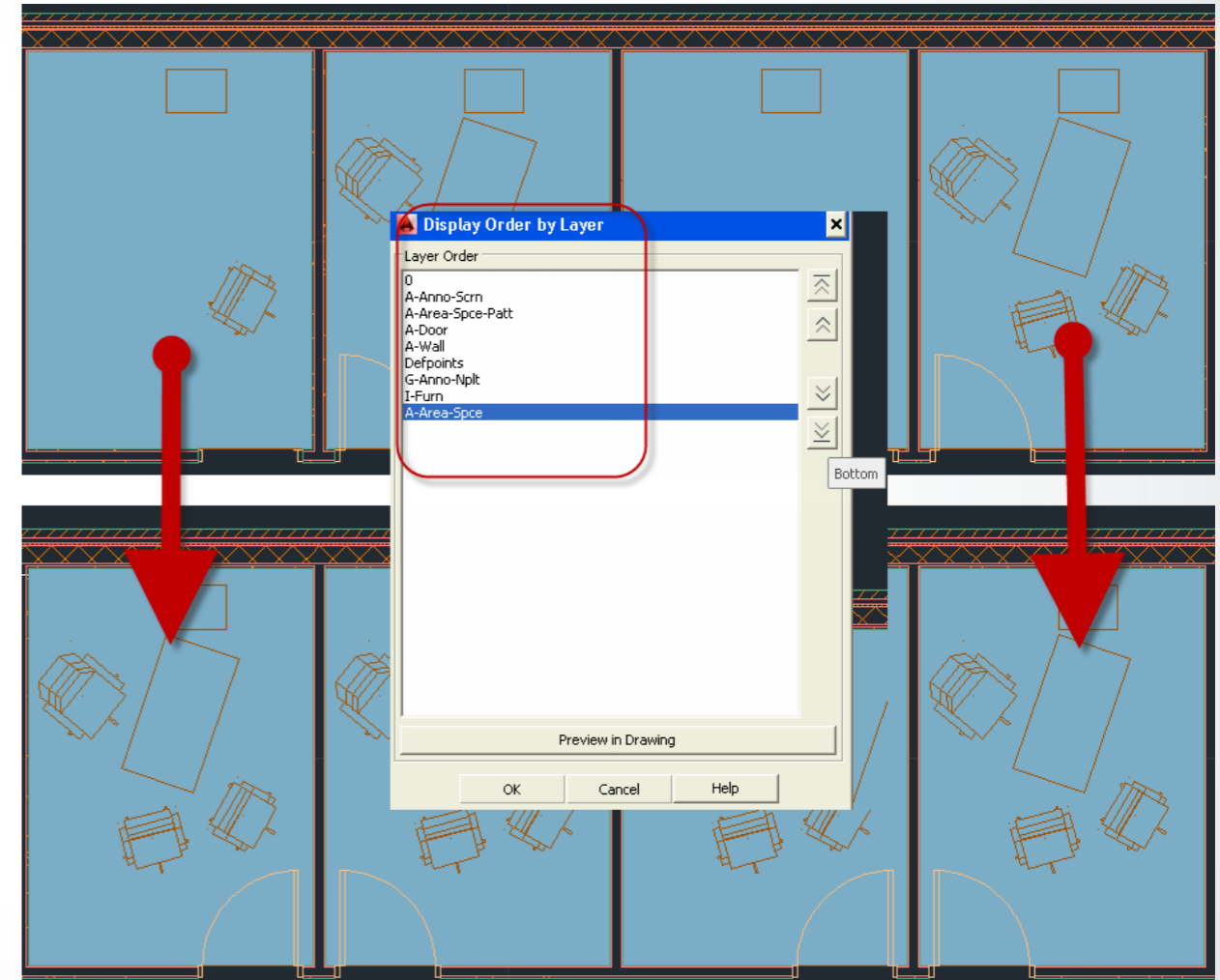
# Drafting and Documentation

# Drafting and Documentation

AutoCAD Architecture 2014

## Display order by layer

- Improve display order control
- Set an order for layers in a list
- Apply display order for all objects on each layer
- Preview changes before applying



Display elements in a drawing in any order for better documentation

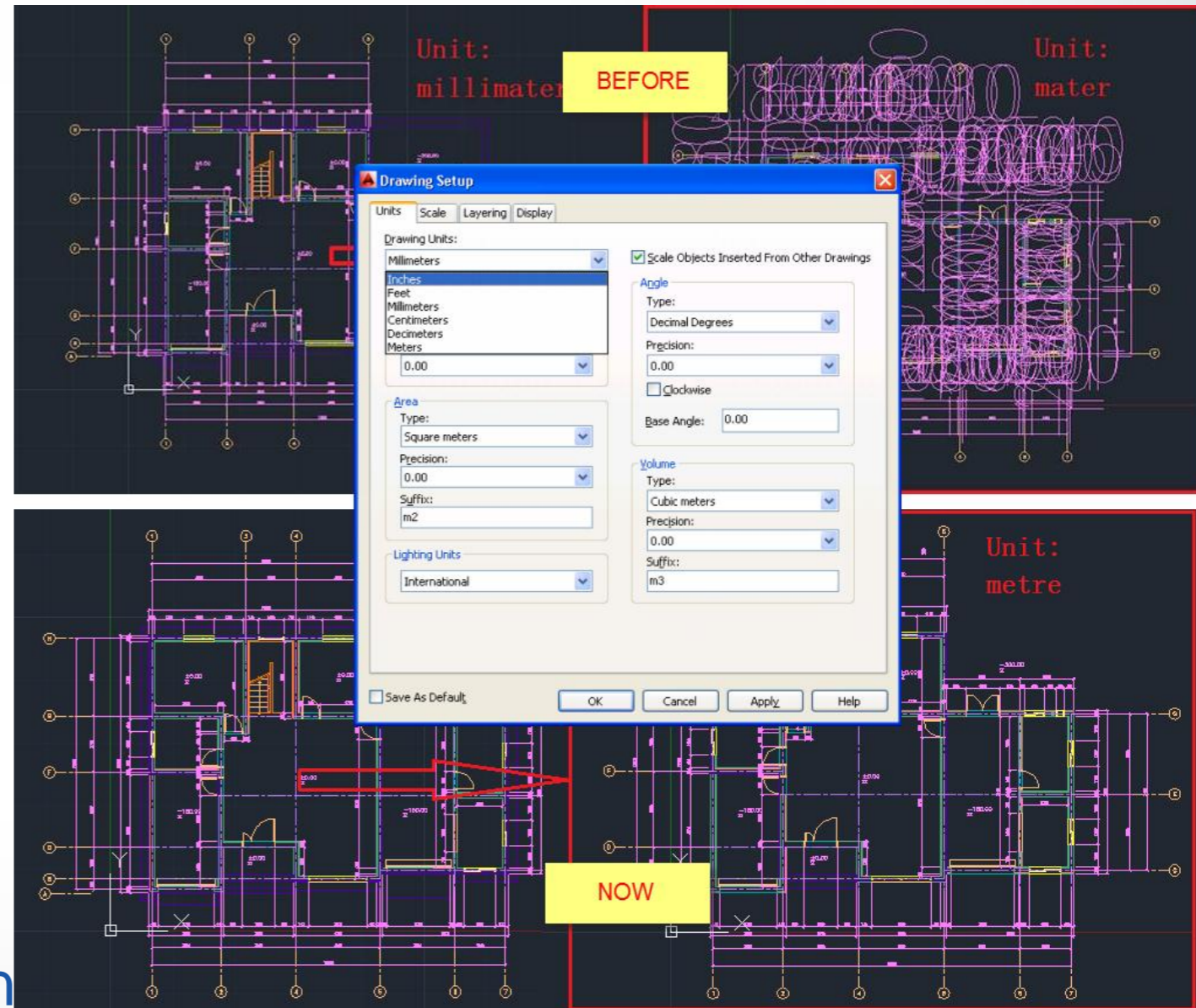
# Drafting and Documentation

AutoCAD Architecture 2014

## Annotation and unit scaling

- Easily move from one unit to another
- More accurately represent annotation when scaled
- Get expected appearance and size relative to other objects

Create more accurate construction documents with properly scaled tags, text, and other annotation



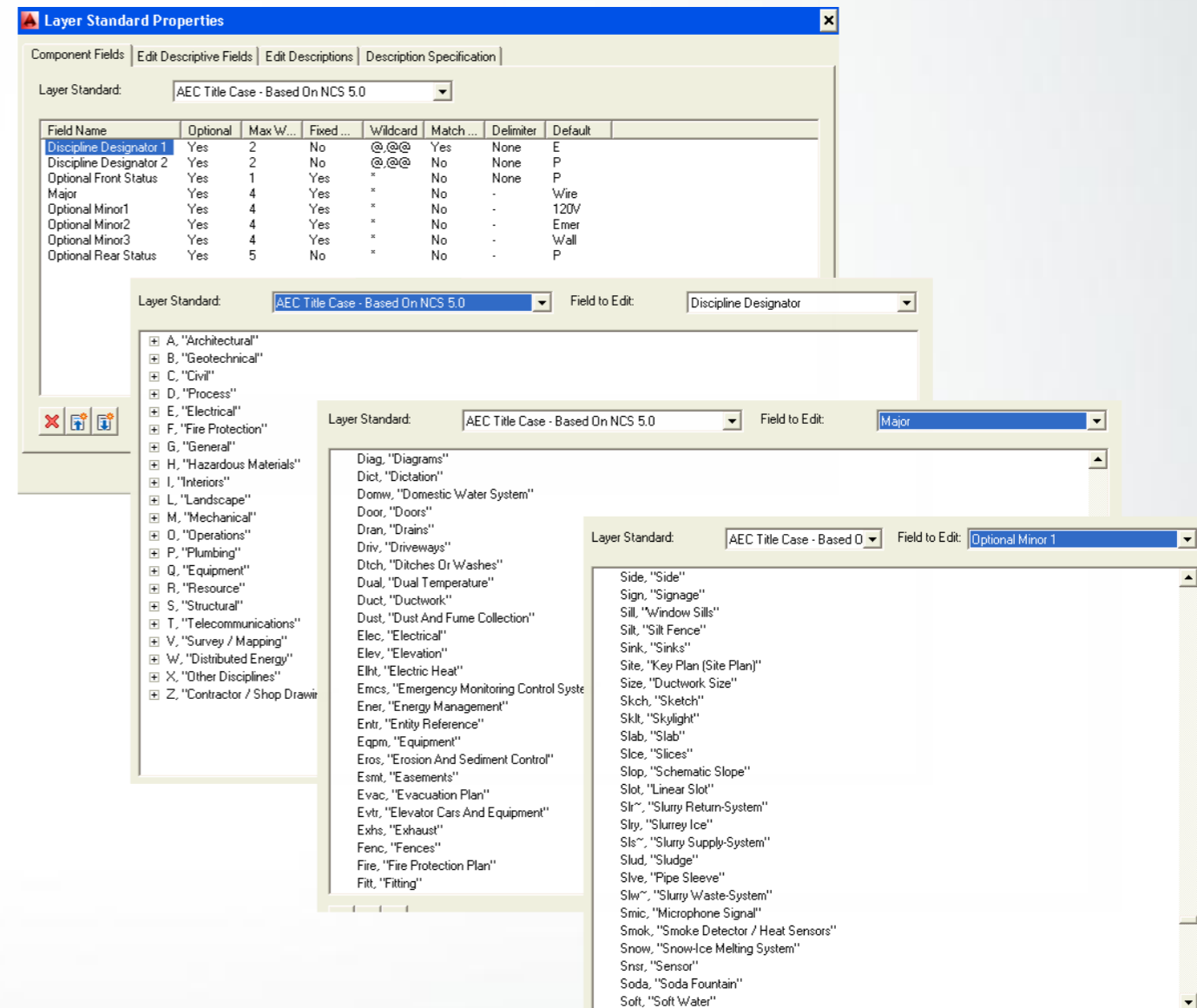
# Drafting and Documentation

AutoCAD Architecture 2014

## Enhanced layer standards

- Generate the correct layer names more easily
- New layer standard and layer key styles
- NCS 5.0-compliant

No longer modify layer names manually to comply with NCS 5.0



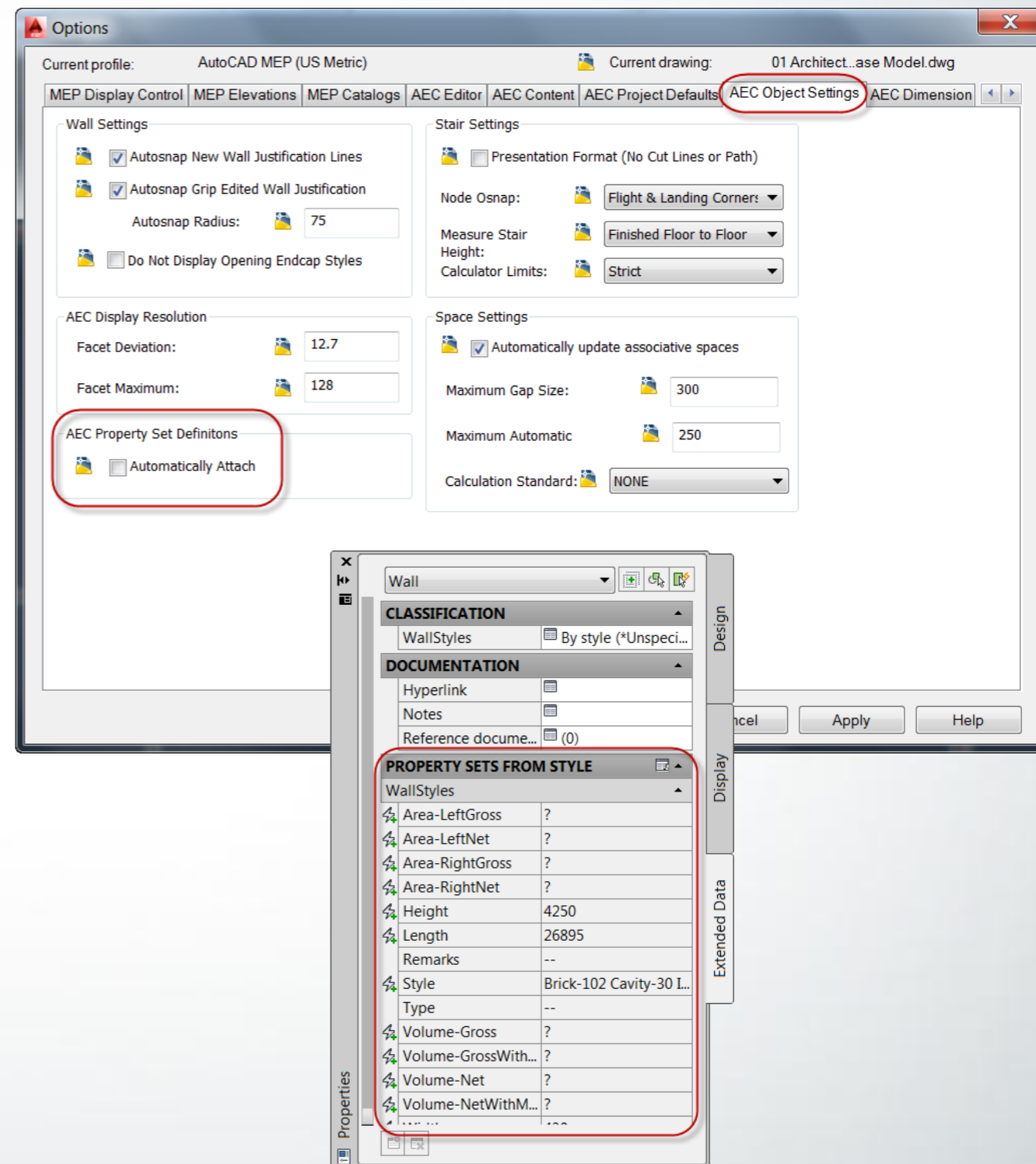
# Drafting and Documentation

AutoCAD Architecture 2014

## Automated property set definitions

- Automatically attach property set definitions to any object
- Attach existing property set definitions
- Attach new or modified property set definitions

Create more accurate schedules and Autodesk® Quantity Takeoff calculations



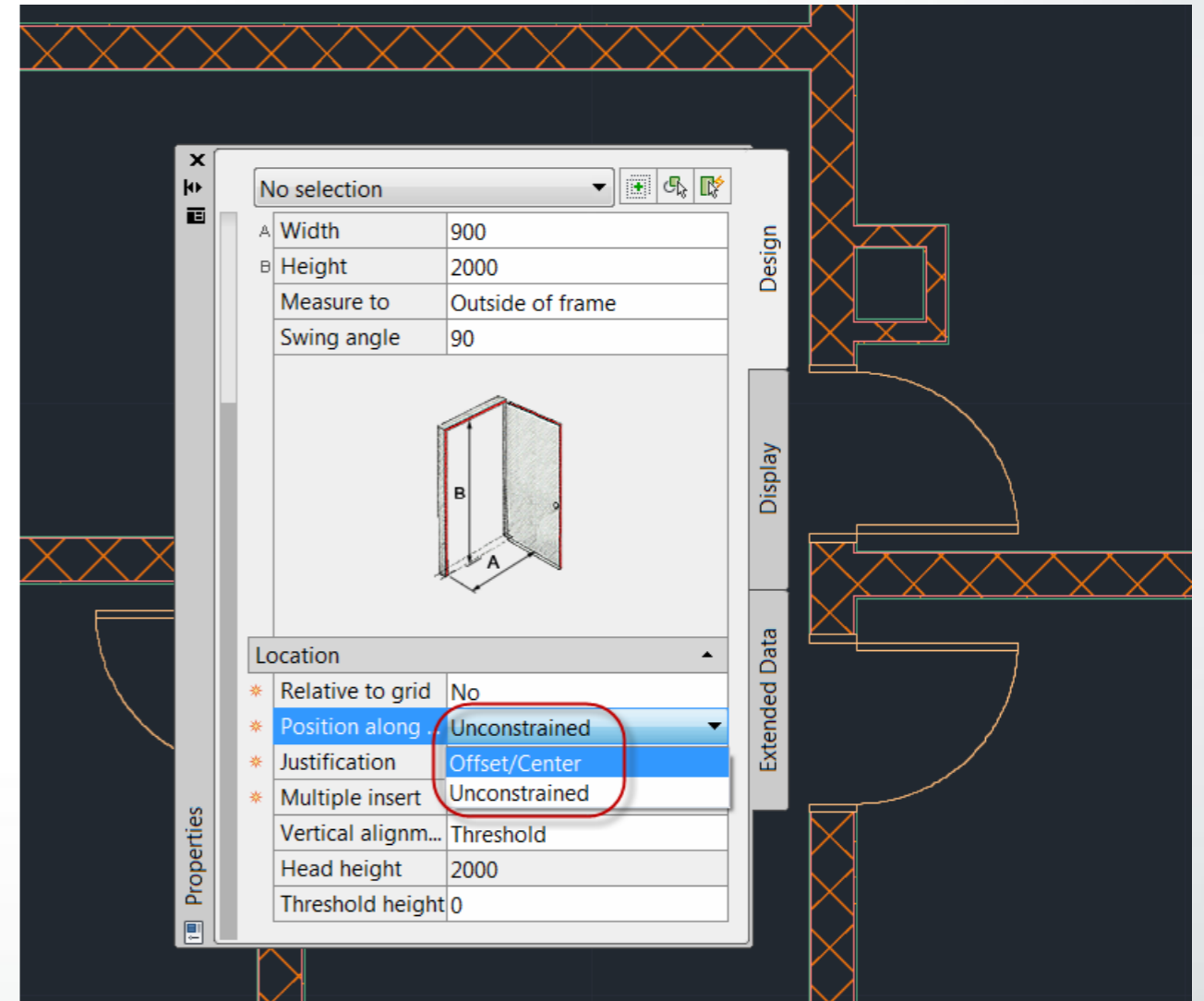
# Drafting and Documentation

AutoCAD Architecture 2014

## Door & window insertion enhancements

- No need to switch between door and window offset and center placement options
- Add door to one end of wall or center more easily
- Snap to each location automatically

Streamline your workflow when adding many doors and/or windows



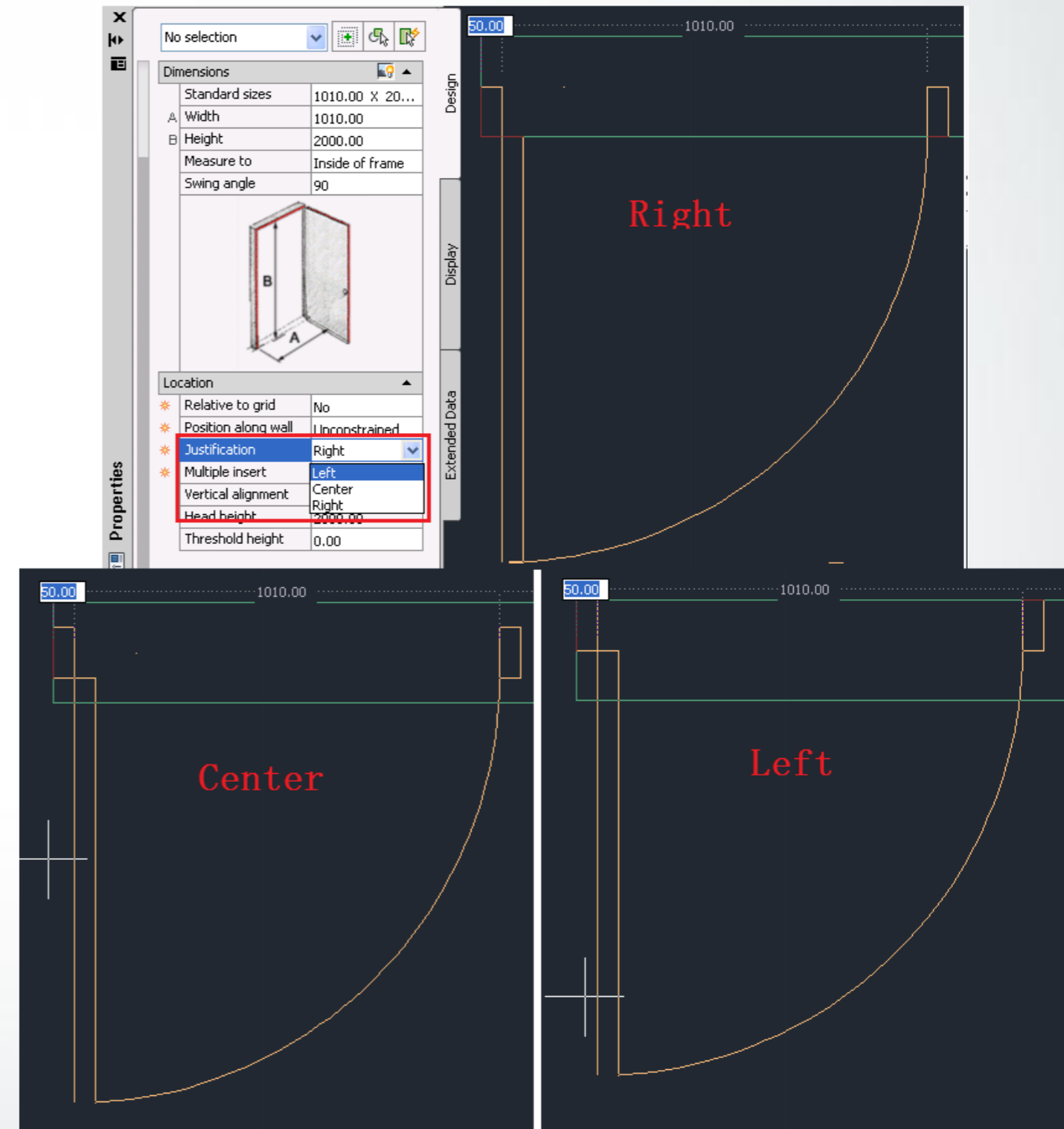
# Drafting and Documentation

AutoCAD Architecture 2014

## Door & window justification enhancement

- Draft door and windows according to design
- Left or right edge justification
- No need to place door or window in center of wall and then move

More easily add doors and windows flush to an edge of a wall





Autodesk is a registered trademark of Autodesk, Inc., and/or its subsidiaries and/or affiliates in the USA and/or other countries. All other brand names, product names, or trademarks belong to their respective holders. Autodesk reserves the right to alter product and services offerings, and specifications and pricing at any time without notice, and is not responsible for typographical or graphical errors that may appear in this document.

© 2013 Autodesk, Inc. All rights reserved.